
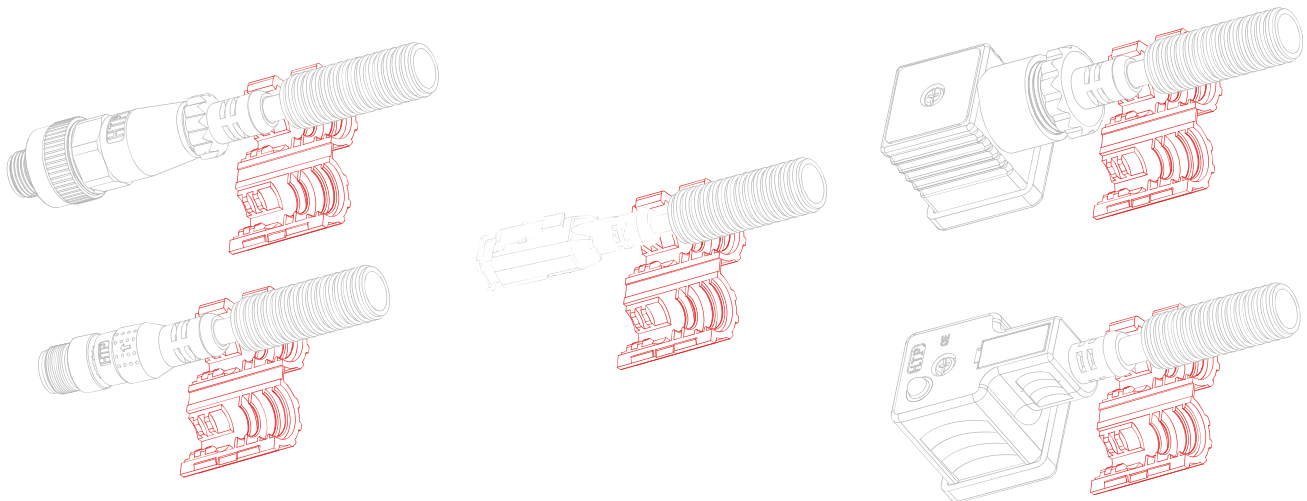
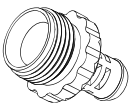
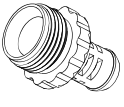



## ACCESSORIES

Technical drawing	Int. conduits diameter	Ext. conduits diameter	Part number	Conduits clip material	Packaging	Suitable connectors
	ø6.2mm and ø9.6mm	ø10mm and ø13mm	<b>ACC1</b>	PA66	50pcs/bag	Din connectors Field attachable* Din connectors with moulded cable Circular M12 connectors Field attachable* Circular M12 connectors with moulded cable Automotive connectors with moulded cable



Technical drawing	Gland thread type	Length	Part number	Cable gland	Gland material	Gland colour	Packaging	Suitable connectors
	PG11	29.4mm	<b>ACSC-PG11</b>	6.5-7mm	PA66	Black	50pcs/bag	G1 G1C G4 12ML 12FL 12MU 12FU
	PG9	29mm	<b>ACSC-PG9</b>	4-7mm	PA66	Black	50pcs/bag	M1 M2
	PG7	29mm	<b>ACSC-PG7</b>	3.5-6mm	PA66	Black	50pcs/bag	P1 P2 12FC 12MC 12FB 12MT 12MB 12FZ 12MZ 12FT 12MT

\* To connect the conduits clip, all field attachable connectors must have the gland with the exit cable.